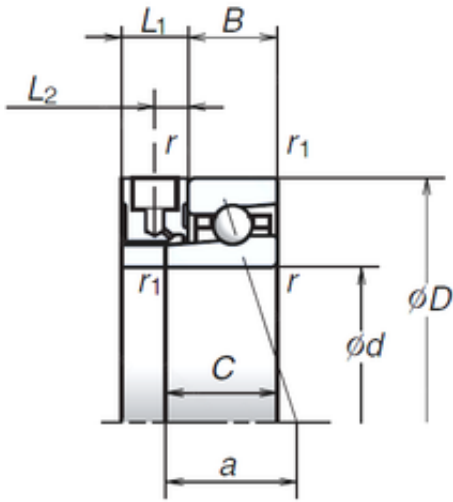




UGE BEARING INDUSTRIAL CO., LTD.



80 mm x 110 mm x 16 mm NSK 80BER19XE
Special design 60 ° contact angle Precision
Bearings

Bearing No. 80BER19XE

Size	80x110x16 mm
Bore Diameter	80 mm
Outer Diameter	110 mm
Width	16 mm
d	80 mm
D	110 mm
B	16 mm
C	21 mm
L2	7,5 mm
Angle (°)	25 °
a	35,1 mm
r min.	1 mm
r1 min.	0,6 mm
L1	15 mm
Weight	0,366 Kg
Basic dynamic load rating (C)	21 kN
Basic static load rating (C0)	19,1 kN
(Grease) Lubrication Speed	31 600 r/min

80BER19XE Bearing 2D drawings and 3D CAD models