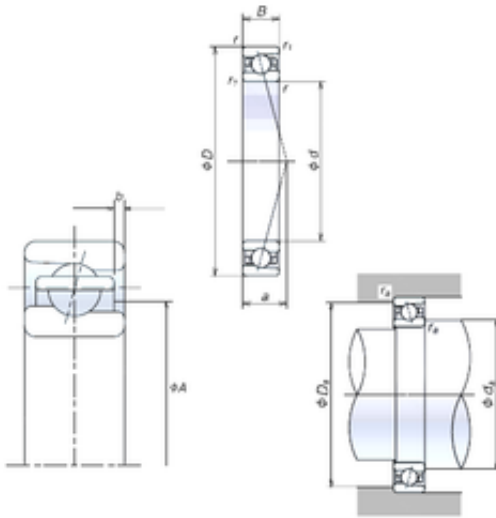




UGE BEARING INDUSTRIAL CO., LTD.

75 mm x 115 mm x 20 mm NSK 75BER10H Special design 60 ° contact angle Precision Bearings



75BER10H Bearing 2D drawings and 3D CAD models

Bearing No. 75BER10H

Size	75x115x20 mm
Bore Diameter	75 mm
Outer Diameter	115 mm
Width	20 mm
d	75 mm
D	115 mm
B	20 mm
C	20 mm
Angle (°)	25 °
a	31,9 mm
b	1,7 mm
r min.	1,1 mm
r1 min.	0,6 mm
A	89 mm
da min.	82 mm
Da max.	108 mm
ra max.	1 mm
Weight	0,638 Kg
Basic dynamic load rating (C)	21,6 kN
Basic static load rating (C0)	19,8 kN
(Grease) Lubrication Speed	16900 r/min