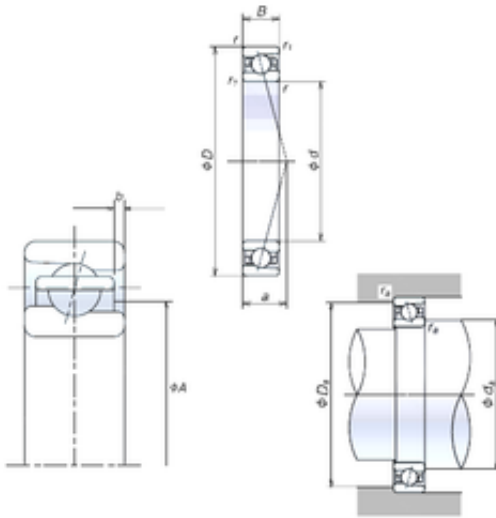




UGE BEARING INDUSTRIAL CO., LTD.

60 mm x 95 mm x 18 mm NSK 60BNR10S
Special design 60 ° contact angle Precision
Bearings



60BNR10S Bearing 2D drawings and 3D CAD models

Bearing No. 60BNR10S

| | |
|-------------------------------|-------------|
| Size | 60x95x18 mm |
| Bore Diameter | 60 mm |
| Outer Diameter | 95 mm |
| Width | 18 mm |
| d | 60 mm |
| D | 95 mm |
| B | 18 mm |
| C | 18 mm |
| Angle (°) | 18 ° |
| a | 21,5 mm |
| b | 1,5 mm |
| r min. | 1,1 mm |
| r1 min. | 0,6 mm |
| A | 73 mm |
| da min. | 67 mm |
| Da max. | 88 mm |
| ra max. | 1 mm |
| Weight | 0,443 Kg |
| Basic dynamic load rating (C) | 15,6 kN |
| Basic static load rating (C0) | 13,7 kN |
| (Grease) Lubrication Speed | 18100 r/min |