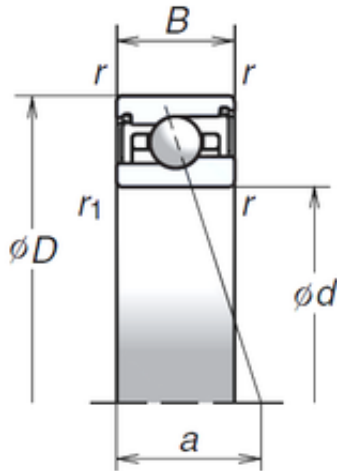




UGE BEARING INDUSTRIAL CO., LTD.



40 mm x 62 mm x 14 mm NSK 40BER29HV1V
Special design 60 ° contact angle Precision
Bearings

Bearing No. 40BER29HV1V

Size	40x62x14 mm
Bore Diameter	40 mm
Outer Diameter	62 mm
Width	14 mm
d	40 mm
D	62 mm
B	14 mm
C	14 mm
Angle (°)	25 °
a	18,9 mm
r min.	0,6 mm
r1 min.	0,3 mm
Weight	0,107 Kg
Basic dynamic load rating (C)	11 kN
Basic static load rating (C0)	7,35 kN
(Grease) Lubrication Speed	31 400 r/min

40BER29HV1V Bearing 2D drawings and 3D CAD models