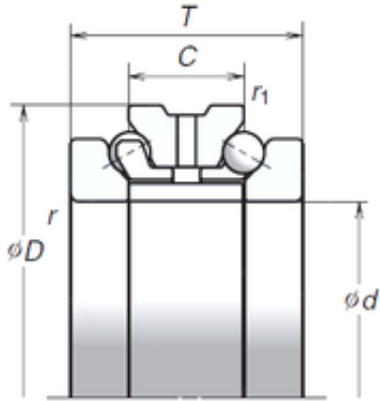




UGE BEARING INDUSTRIAL CO., LTD.

NSK 180TAC29D+L Special design 60 ° contact angle Precision Bearings



Bearing No. 180TAC29D+L

Size	180x250x84 mm
Bore Diameter	180 mm
Outer Diameter	250 mm
Width	84 mm
d	180 mm
D	250 mm
T	84 mm
C	42 mm
Angle (°)	60 °
r min.	2 mm
r1 min.	1 mm
Da	238 mm
ra max.	2 mm
rb max.	1 mm
da	207 mm
Weight	10,7 Kg
Basic dynamic load rating (C)	158 kN
Basic static load rating (C0)	655 kN
(Grease) Lubrication Speed	2 100 r/min

180TAC29D+L Bearing 2D drawings and 3D CAD models