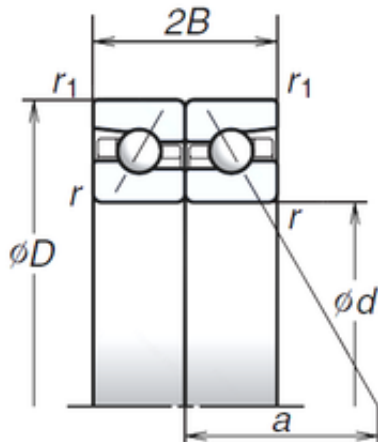




UGE BEARING INDUSTRIAL CO., LTD.



150 mm x 225 mm x 33,75 mm NSK
 150BAR10S Special design 60 ° contact angle
 Precision Bearings

Bearing No. 150BAR10S

Size	150x225x33.75 mm
Bore Diameter	150 mm
Outer Diameter	225 mm
Width	33,75 mm
d	150 mm
D	225 mm
B	33,75 mm
C	33,75 mm
Angle (°)	40 °
a	71 mm
r min.	2,1 mm
r1 min.	1,1 mm
2B	67,5 mm
Weight	4,354 Kg
Basic dynamic load rating (C)	92,5 kN
Basic static load rating (C0)	234 kN
(Grease) Lubrication Speed	4 000 r/min
(Oil) Lubrication Speed	5 100 r/min

150BAR10S Bearing 2D drawings and 3D CAD models